

Data sheet

Commercial Art.No.: 73.310.0353.0

Male insert MIN STS 3 2,5 40

Male insert revos MINI, 3-poles, rated current: 10A, rated voltage: 690V, with tinned contacts



Certificates / Approvals



Technical data

General

Model	Pin insert
Inflammability class of insulation material acc. with UL94	V2
Color	Grey
Mating cycles	50
Pollution degree	3
Modular version	No
Operating temperature range min.	-40 °C
Operating temperature range max.	120 °C

Connection Data

Connection type	Screw connection
Number of poles	3
Plus switching contacts	0
Number of pole for rated current 2	0
Number of pole for rated current 3	0
Total number of poles (without ground contact)	3
With wire protection	No
Min. conductor diameter rigid (solid/stranded)	0.5 mm ²
Max. conductor diameter rigid (solid/stranded)	2.5 mm ²
Protective contact	Yes

Technical Data UL/CSA

Rated voltage according to UL/CSA	600 V
Rated current according UL	10 A
Rated current according CSA	10 A

Min. conductor cross section flexible wire	0.5 mm ²
Max. conductor cross section flexible wire	2.5 mm ²
Conductor cross section flexible AWG wire	22-12 AWG

Model

With housing	No
--------------	----

Contacts

Contact material	Copper alloy
Surface	Tin-plated
Contact resistance	≤ 2 mOhm
Wire strip length	4 mm

Screws head design/recomm. Torque

Mounting screws	M3/0.5-0.7 Nm Slot
Clamping screws	M3/0.5-0.7 Nm Slot
Ground conductor screws	M3/0.5-0.7 Nm Slot

Technical Data DIN EN 61984

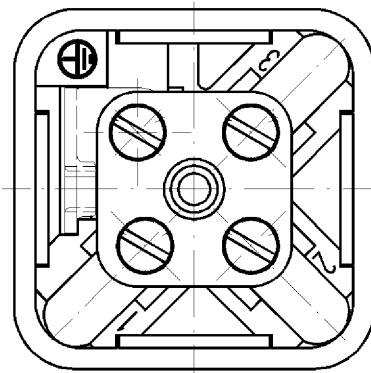
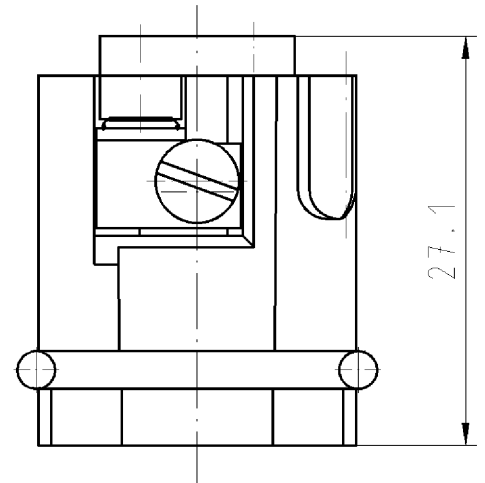
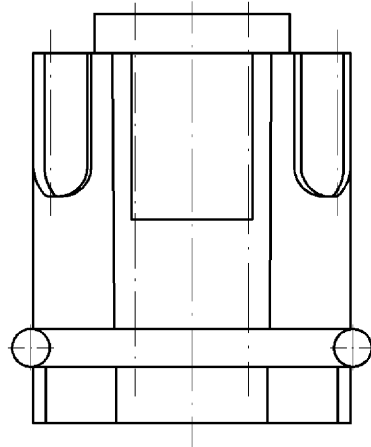
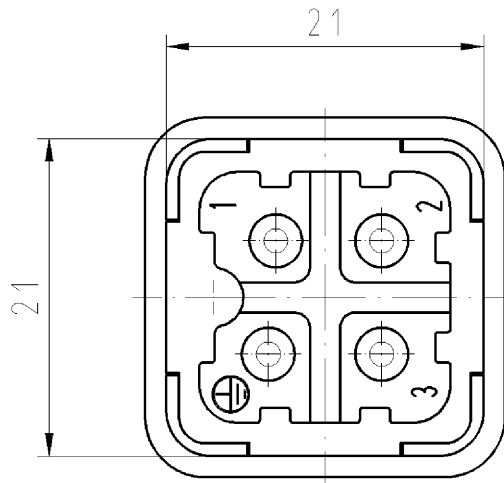
Nominal voltage	400 V
Rated voltage face/ground	250 V
Nominal current	10 A
Rated impulse voltage	4 kV

Classification

ECLASS 11	
ECLASS 8.1	27440205
ETIM 7.0	EC000438
ETIM 6.0	EC000438
ETIM 5.0	EC000438
ETIM 4.0	EC000438
ETIM 3.0	EC000438

Product compliance

ROHS conformity status	Compliant/Exempted
ROHS exceptions	III-6(c)
REACH-SVHC conformity status	Duty-To-Declare
REACH-SVHC substances	Lead
REACH-SVHC CAS numbers	7439-92-1



mit Schraubanschluß
with screw connection



Diese Maße werden bei Abnahme besonders geprüft
Ausschließlich Prüfmaße

Mit \neq gekennzeichnete Maße sind nur für interne Zwecke gültig



Weitergabe sowie Vervielfältigung dieses Dokuments, Verwertung und Mitteilung seines Inhalts sind verboten, soweit nicht ausdrücklich gestattet. Die reproduction, distribution and utilization of this document as well as the communication of its contents to others without express authorization is prohibited.

Freitoleranz nach		CAD - Zeichnung, keine manuellen Änderungen			1. Verwendung: -		Bl.: 1 von 1		
	/	Maßstab 2:1	Werkstoff und Oberfläche:		2003	Tag	Name	Zeichnung Nr. 73.310.0353.0 01K	Index
	/				Entworfen	11.07.	Bauer F.		
	/				Gepüft	-	-		
	/	Vol.	mm ²	Offl.	mm ²	Normgepr.	-	-	Ersatz für: -
Buchstabe		Datum / Blatt		wieland Elektrische Verbindungen		Benennung STECKEREINSATZ 3-polig PLUG INSERT 3-pole			
Änderung									